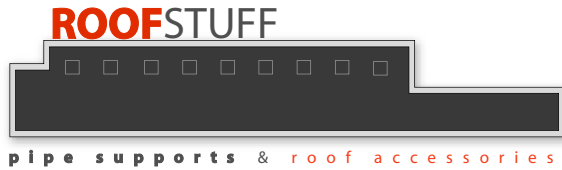


# Product Data Sheet



**PRODUCT NAME:** SS-R-5

**DESCRIPTION:** Adjustable rolling pipe support designed to raise mechanical piping (electrical conduit, gas piping, etc.) up off of the roof membrane to prevent damage that can occur from other types of insufficient supports. The SS-R-5 compensates for linear pipe motion due to expansion, contraction, and vibration through the heavy duty SBR rubber roller. The support is vertically adjustable so that each unit can be adjusted for optimal performance.

**COMPOSITION AND MATERIALS:**

*Base:* 16 gauge stainless steel

*All thread:* 3/8" x 8" stainless steel

*Crossbar:* 5/8" stainless steel rod

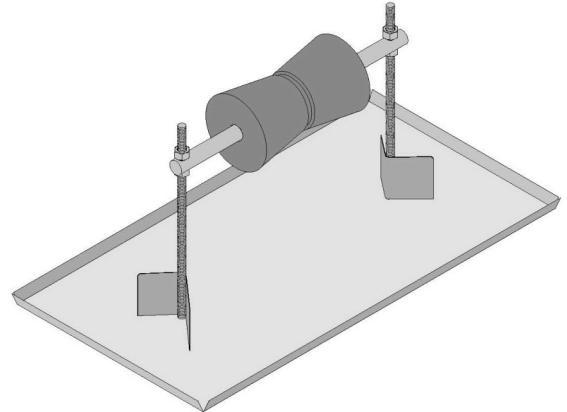
*Roller:* Industrial SBR rubber with UV inhibitors

**PIPE SIZE:** Supports pipes ranging in diameter from 1/2" to 5"

**HEIGHT RANGE:** Support is adjustable from heights 3" - 9"

**LOAD:** Weight per stand should not exceed 150 lbs.

**SPACING:** No more than 10 ft between each stand. Closer spacing may be necessary to prevent loads greater than 150lbs per support. Adjusting each support so that all bear an equal amount of the load will ensure optimal performance.



RoofStuff, Inc.  
3626 N Hall St. Suite 703  
Dallas, TX 75219  
(214) 224-0055  
(214) 224-0988 (fax)  
[www.roofstuffinc.com](http://www.roofstuffinc.com)